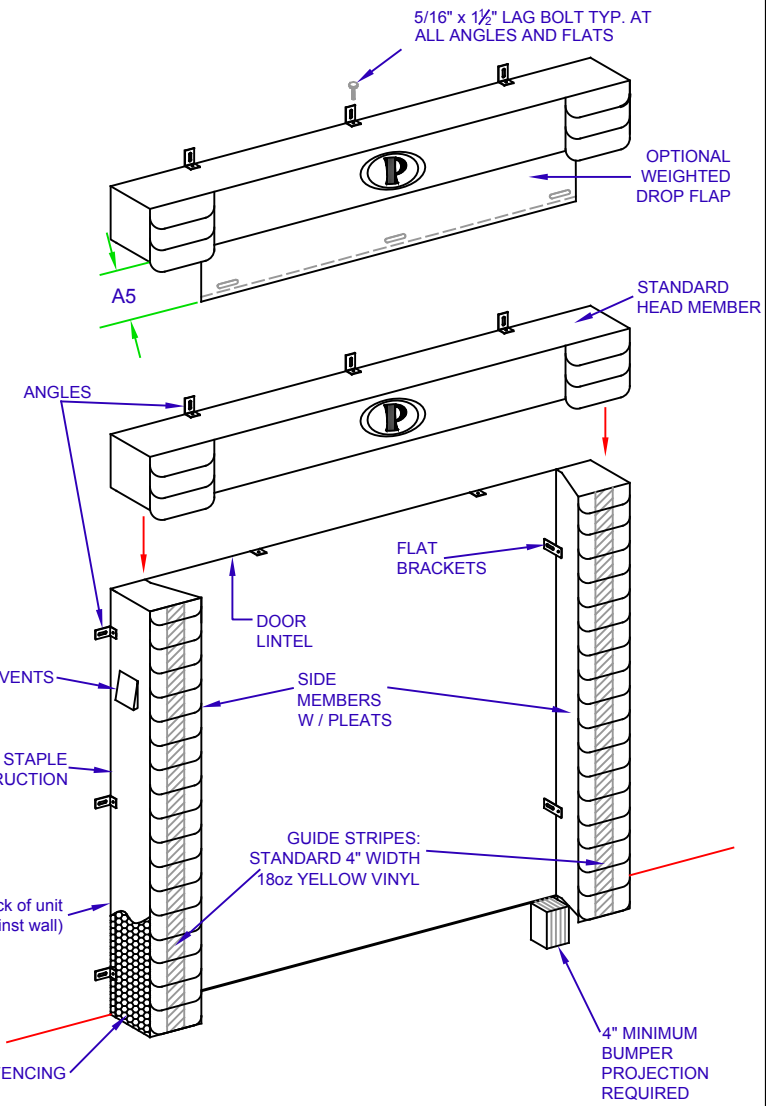
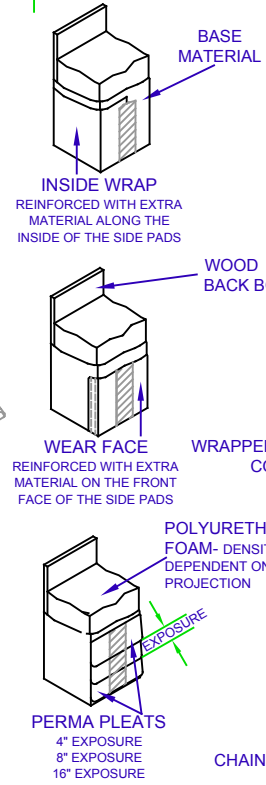
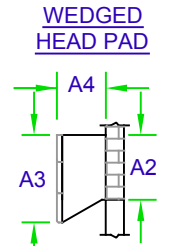
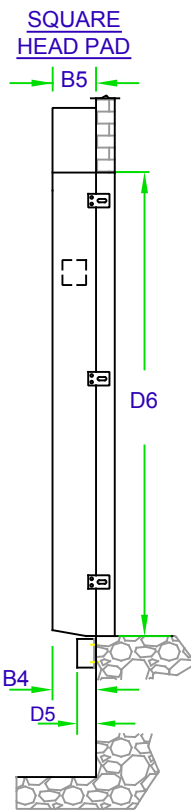
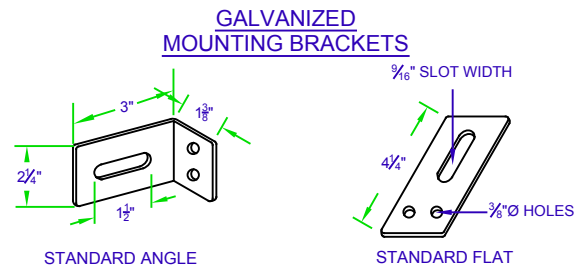
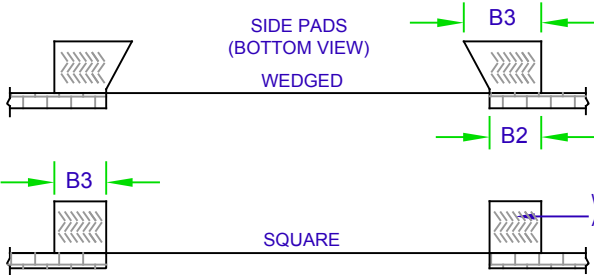
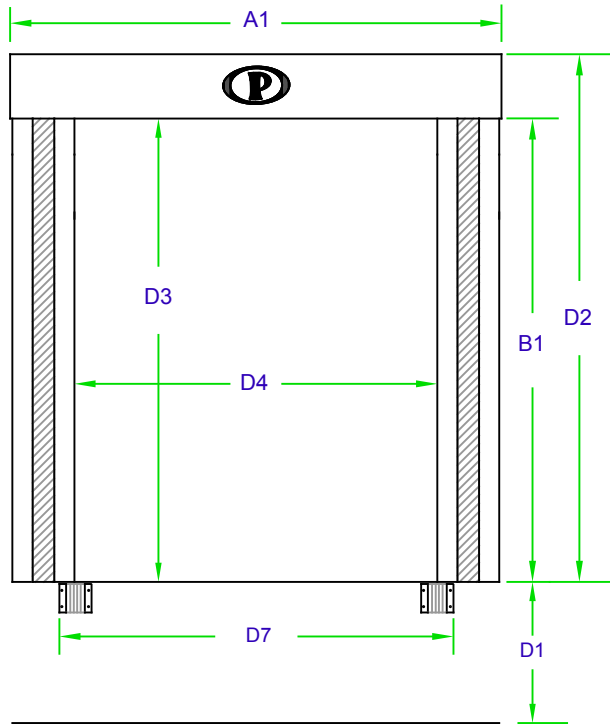


PERMA PROTECTOR DOCK SEAL: FOAM HEADER



DIMS.		HEAD PAD DATA:	
A1-	" LENGTH	MATERIAL-	
A2-	" HEIGHT AT REAR	DROP FLAP:	<input type="checkbox"/>
A3-	" HEIGHT AT FACE	PERMA PLEATS:	<input type="checkbox"/>
A4-	" PROJECTION	PLEAT MATERIAL-	
A5-	" DROP FLAP	EXPOSURE-	"
DIMS.		SIDE PAD DATA:	
B1-	" LENGTH	MATERIAL-	
B2-	" WIDTH AT REAR	WEAR FACE:	<input type="checkbox"/>
B3-	" WIDTH AT FACE	INSIDE WRAP:	<input type="checkbox"/>
B4-	" PROJ. AT BOTTOM	PERMA PLEATS:	<input type="checkbox"/>
B5-	" PROJ. AT TOP	PLEAT MATERIAL-	
		EXPOSURE-	"

DIMS.		GENERAL INFO:	
D1-	" DOCK HEIGHT FROM GROUND	APPROACH-	DECLINE: <input type="checkbox"/> INCLINE: <input type="checkbox"/> LEVEL: <input type="checkbox"/>
D2-	" ENTIRE UNIT HEIGHT	D5-	" BUMPER PROJ.
D3-	" INSIDE OPENING HEIGHT	D6-	" DOOR HEIGHT
D4-	" INSIDE OPENING WIDTH	D7-	" DOOR WIDTH

PERMA TECH, INC.
 363 HAMBURG STREET • BUFFALO, NY 14204
 (716) 854-0707 • 1-800-DOC-SEAL
www.permatechinc.com

JOB: _____

DEALER: _____ DATE: _____

CONTACT: _____ QUOTE #: _____

APPROVED BY SIGNATURE: _____

SPECIAL INFORMATION: